

## Peelers

### Vegetable Peeler, 5kg with abrasive plate, removable compartment & filter

ITEM # \_\_\_\_\_

MODEL # \_\_\_\_\_

NAME # \_\_\_\_\_

SIS # \_\_\_\_\_

AIA # \_\_\_\_\_


**601302 (T5EFB)**

Vegetable Peeler, 5kg with abrasive plate, removable compartment and filter - 220-240V/1/50

### Short Form Specification

**Item No.** \_\_\_\_\_

Can be placed on a worktop. 5 kg, removable stainless steel peeling chamber contains the abrasive plate which also serves as a container for carrying the vegetables. Vegetables can be loaded directly into the peeling chamber, away from the machine. Easily assembled onto the base, with the drive shaft fitting into the centre of the plate. The transparent cover closes the cylinder during the peeling operations. Timer pre-set to 3 minutes. Peeling speed: 305 rpm. Removable water inlet, on the cover, designed to serve as a spray for cleaning the machine. The electronic controls and the motor of the peeler have IP55 protection. Optional drying basket.

Supplied with abrasive plate and integrated/removable filter basket.

### Main Features

- Removable stainless steel peeling chamber to contain the abrasive plate which also serves as a container to carry the vegetables.
- Supplied with an abrasive plate as standard.
- Removable water inlet, clipped to the cover, designed to serve as a spray to clean the machine.
- Red OFF, green ON buttons.
- Integrated built-in filter device, removable for cleaning.
- Peeling time on timer preset to 3 minutes
- Easily fits onto the base, with the drive shaft fitting into the center of the plate.
- Dishwasher safe removable parts.
- Transparent lid to close the cylinder during peeling operations.
- Unit can be placed on a work top.
- Productivity suitable for 30-100 meals per service.

### Construction

- IP55 waterproof control buttons.
- 1 speed: 305 rpm.
- Transparent BPA free cover.

### Included Accessories

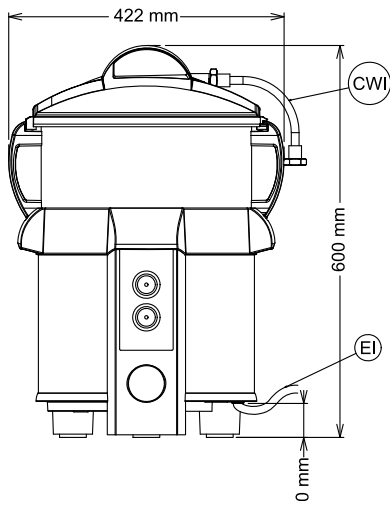
- 1 of Filter basket for 5 kg vegetable peeler PNC 653314
- 1 of Abrasive plate for 5/8 kg vegetable peeler PNC 653316

### Optional Accessories

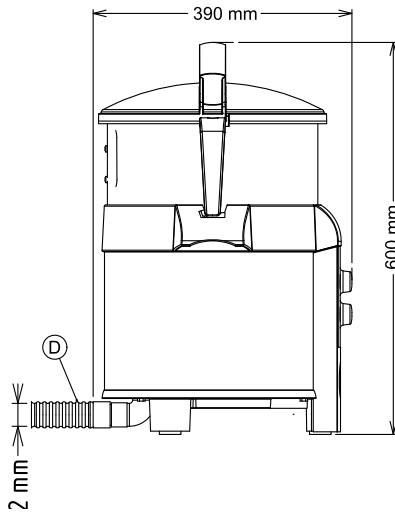
- Filter basket for 5 kg vegetable peeler PNC 653314
- Drying basket for 5 kg vegetable peeler (only T5E) PNC 653315
- Abrasive plate for 5/8 kg vegetable peeler PNC 653316
- Stainless steel table for 5 and 8 kg vegetable peelers PNC 653496

**APPROVAL:** \_\_\_\_\_

Front

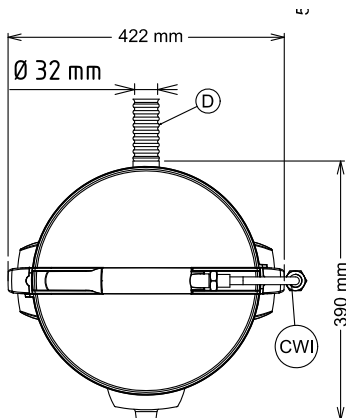


Side



CWI = Cold Water inlet 1 (cleaning)  
 D = Drain  
 EI = Electrical inlet (power)

Top



#### Electric

##### Supply voltage:

601302 (T5EFB)

220-240 V/1N ph/50/60 Hz

#### Capacity:

##### Performance (up to):

80 kg/hour

##### Capacity:

5 kg

#### Key Information:

External dimensions, Width: 424 mm

External dimensions, Depth: 390 mm

External dimensions, Height: 590 mm

Shipping weight: 21 kg